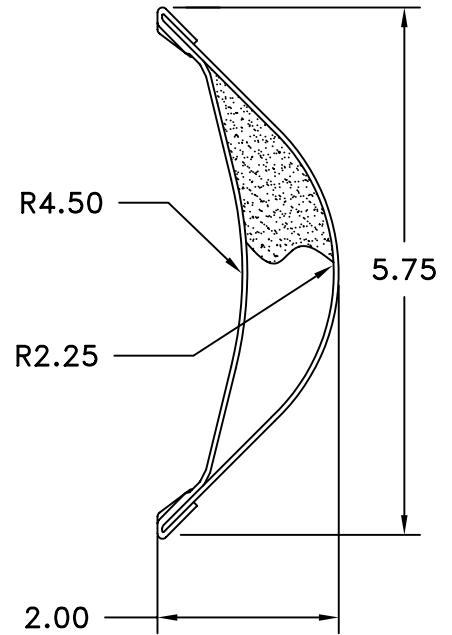
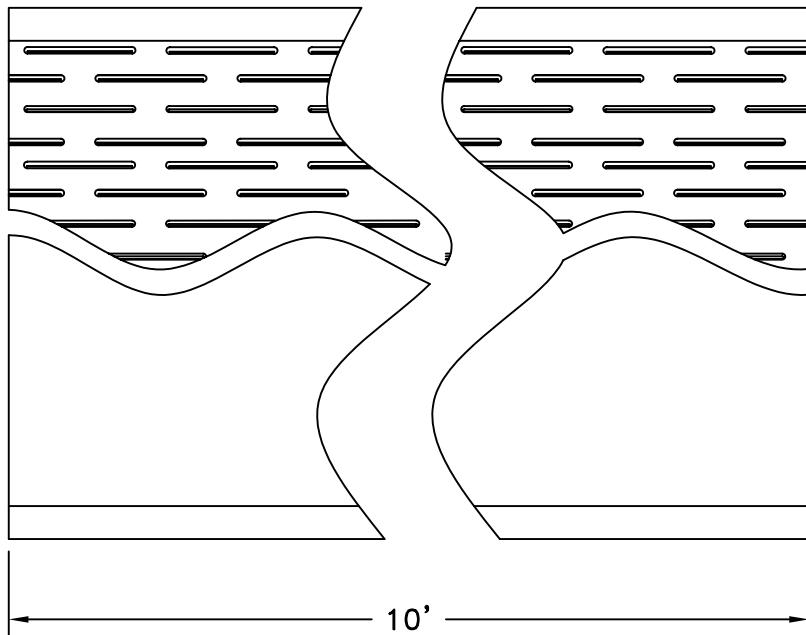
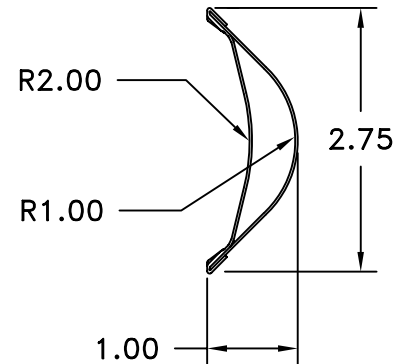
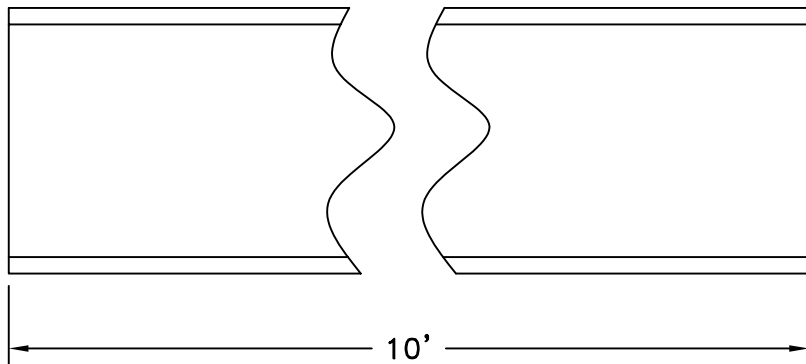


- ROLLFORMED GALVANIZED STEEL CONSTRUCTION
- USE IN COMBINATION WITH RAIL FOR DUCT TURN APPLICATIONS
- DESIGNED TO MINIMIZE VIBRATION
- ACOUSTICAL OPTION HAS A PERFORATED INNER VANE AND INSULATION
- REFERENCE CHART FOR PRODUCT INFORMATION



Product	Product Number
2" Standard Vane 26 GA	VN02
4" Standard Vane 24 GA	VN04
4" Acoustical Vane 24 GA	VNA04

JOB NAME: _____	SUBMITTED BY: _____	DATE: 5/17/03	SD-7050
LOCATION: _____		VN Vane	
ARCHITECT: _____			
ENGINEER: _____			
CONTRACTOR: _____			