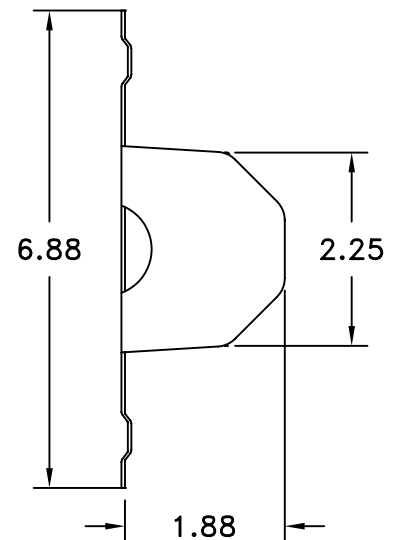
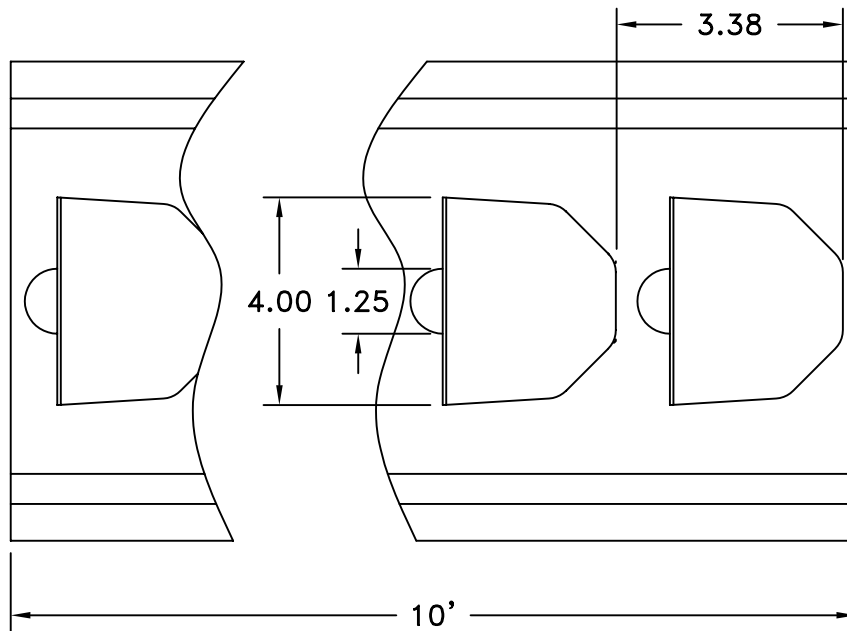
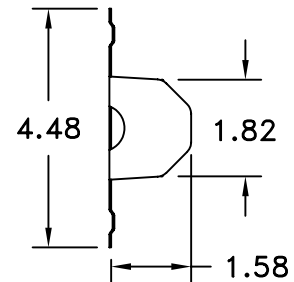
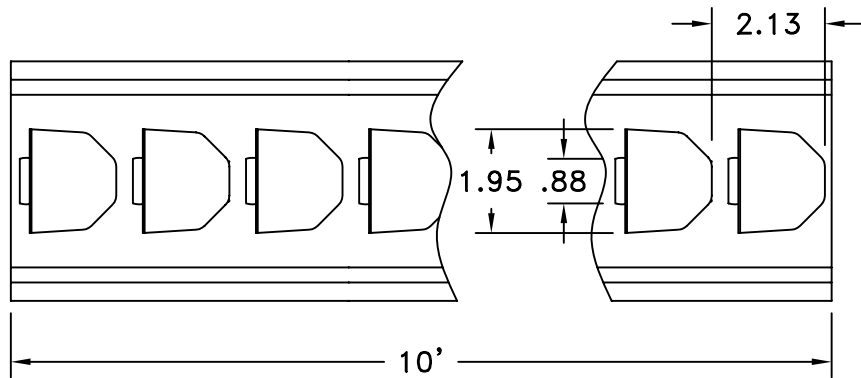


- ROLLFORMED GALVANIZED STEEL CONSTRUCTION
- USE IN COMBINATION WITH VANE FOR DUCT TURN APPLICATIONS
- RAIL HAS EXTRA WIDE MARGIN FOR EASY FASTENING
- RAIL HAS SELF ALIGNING TABS FOR QUICK AND EASY VANE ASSEMBLY
- RAIL STACKS TO MINIMIZE SHIPPING AND STORAGE REQUIREMENTS
- REFERENCE CHART FOR PRODUCT INFORMATION



Product	Product Number
2" Rail 22 GA	RA02
4" Rail 22 GA	RA04

JOB NAME: _____	SUBMITTED BY: _____	DATE: 5/1/03	SD-7051
LOCATION: _____		RA Rail	
ARCHITECT: _____			
ENGINEER: _____			
CONTRACTOR: _____			