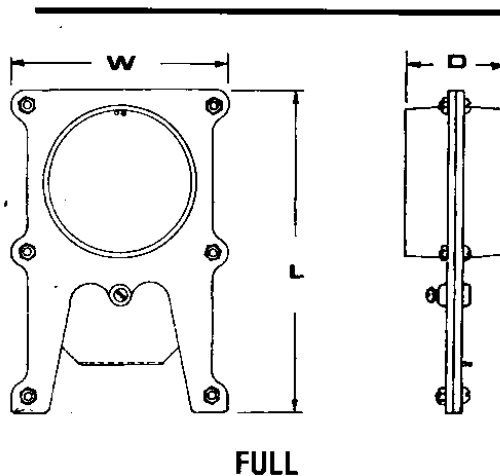


Cut-offs - Half

Cast aluminum cut-offs with galvanized steel slide gates. Cut-offs are used to balance systems, or save air, heat and power when machine is not in use. All cut-offs are furnished with set screws so blade may be firmly placed for volume control. To install, cut slot in pipe and sheet metal screw collar to pipe. Larger sizes are also available.

HALF CUT-OFFS				
Dia.	W	L	D	WT. - Lbs.
3	4 ³ / ₈ "	4 ¹ / ₄ "	2 ⁵ / ₁₆ "	.8
4	5 ¹ / ₂ "	6"	2 ¹ / ₂ "	1.2
5	6 ³ / ₈ "	6 ¹ / ₂ "	2 ¹ / ₄ "	1.4
6	7 ¹ / ₂ "	9"	2 ⁷ / ₈ "	2.0
7	8 ³ / ₈ "	9 ¹ / ₂ "	2 ¹¹ / ₁₆ "	2.5
8	9 ⁵ / ₈ "	10 ¹ / ₂ "	2 ³ / ₄ "	3.2
9	11"	11 ¹ / ₄ "	2 ³ / ₄ "	3.5
10	11 ¹ / ₄ "	13"	3"	4.2
12	13 ³ / ₄ "	15 ³ / ₄ "	3"	5.5
14	16 ¹ / ₂ "	17 ¹ / ₂ "	4 ¹ / ₄ "	8.6



Cut-offs - Full

Full cut-offs are used the same as half cut-offs, except to install. The pipe will fit over the collar of the cut-off on both ends. They are also furnished with set screws so blade may be firmly placed for volume control. Larger sizes are also available.

FULL CUT-OFFS				
Dia.	W	L	D	WT. - Lbs.
2	3 ⁷ / ₈ "	4 ¹ / ₂ "	1 ⁷ / ₈ "	.9
3	4 ¹ / ₄ "	5 ⁵ / ₈ "	2 ¹ / ₄ "	1.2
4	5 ¹ / ₈ "	6 ³ / ₄ "	2 ⁷ / ₁₆ "	1.8
5	6 ¹ / ₈ "	8 ¹ / ₂ "	2 ¹¹ / ₁₆ "	2.7
6	7 ¹ / ₈ "	10"	2 ³ / ₄ "	3.4
7	8"	11 ¹ / ₈ "	2 ⁵ / ₈ "	3.4
8	9 ¹ / ₄ "	12"	3 ³ / ₈ "	5.5
9	10 ¹ / ₂ "	13 ³ / ₄ "	3 ⁵ / ₈ "	5.5
10	11 ³ / ₈ "	14 ³ / ₈ "	3 ⁵ / ₈ "	7.4
12	13 ³ / ₈ "	16 ¹ / ₄ "	3 ⁵ / ₈ "	8.7
14	15 ³ / ₄ "	19"	4 ¹ / ₄ "	11.7
16	18"	21 ¹ / ₄ "	4 ¹ / ₄ "	14.9
18	20 ¹ / ₄ "	32 ¹ / ₄ "	6 ⁷ / ₈ "	33.7
20	22 ¹ / ₄ "	33 ¹ / ₄ "	6 ⁷ / ₈ "	43.0